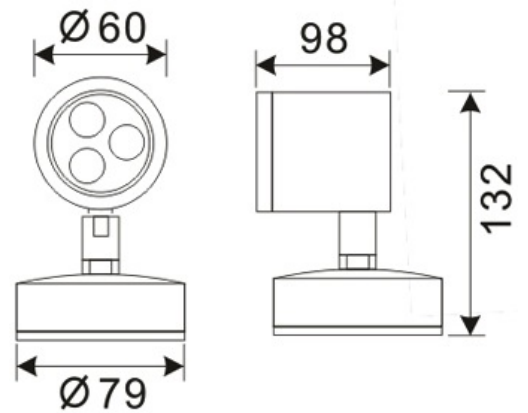


LED Wall Lighting – LR-W00122



Model No.	LR-W00122
LED Type	CREE XRC
LED Q'TY.	1
Beam Angle	60°
Minimum luminous flux(lm)	150
Voltage	12V AC/DC
LED Watt	3W
Environmental Temperature	- 20°C~60°C
Environmental Humidity	0%-95%
Safety Class	III
Safety Type	IP20
Material	Aluminium
Driver	Excluded

For more information
www.ledrays.com